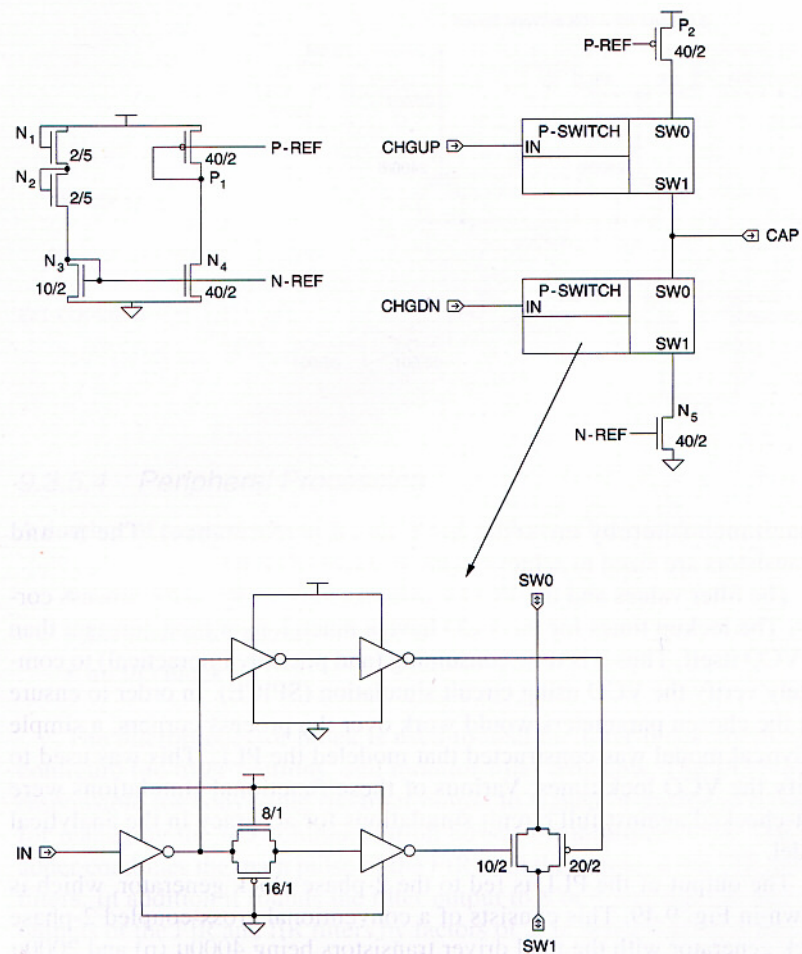
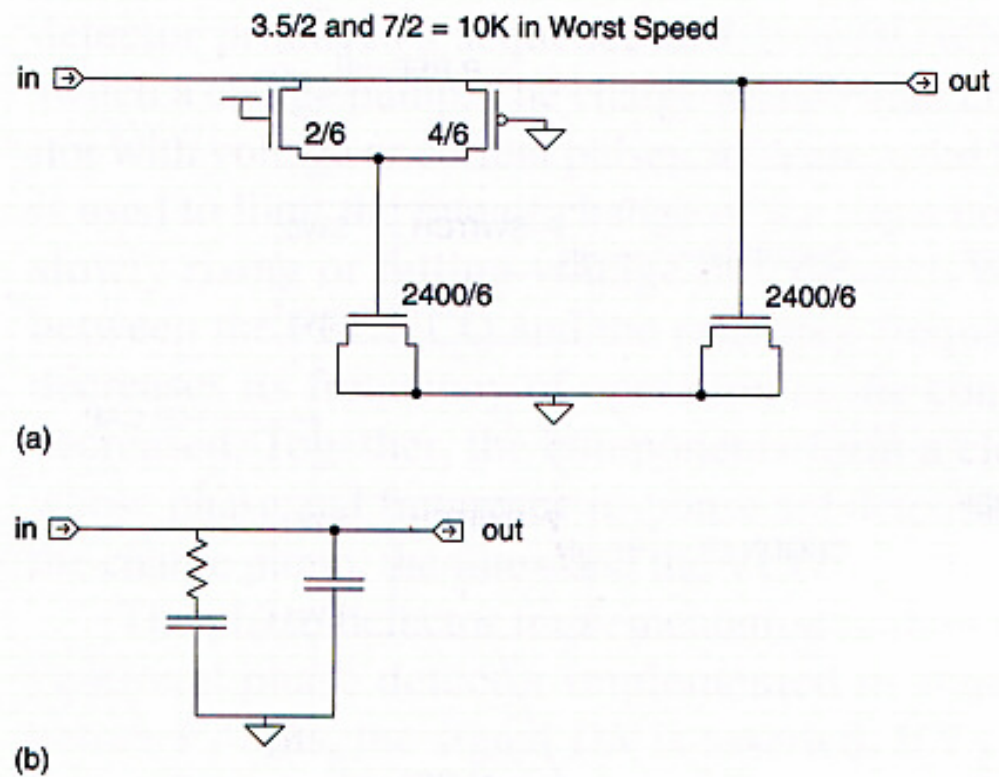


**FIGURE 9.44** PLL

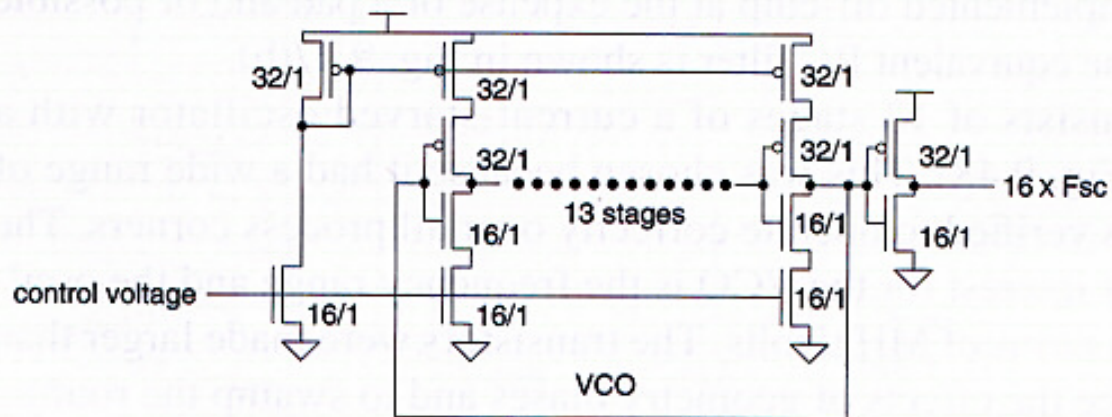




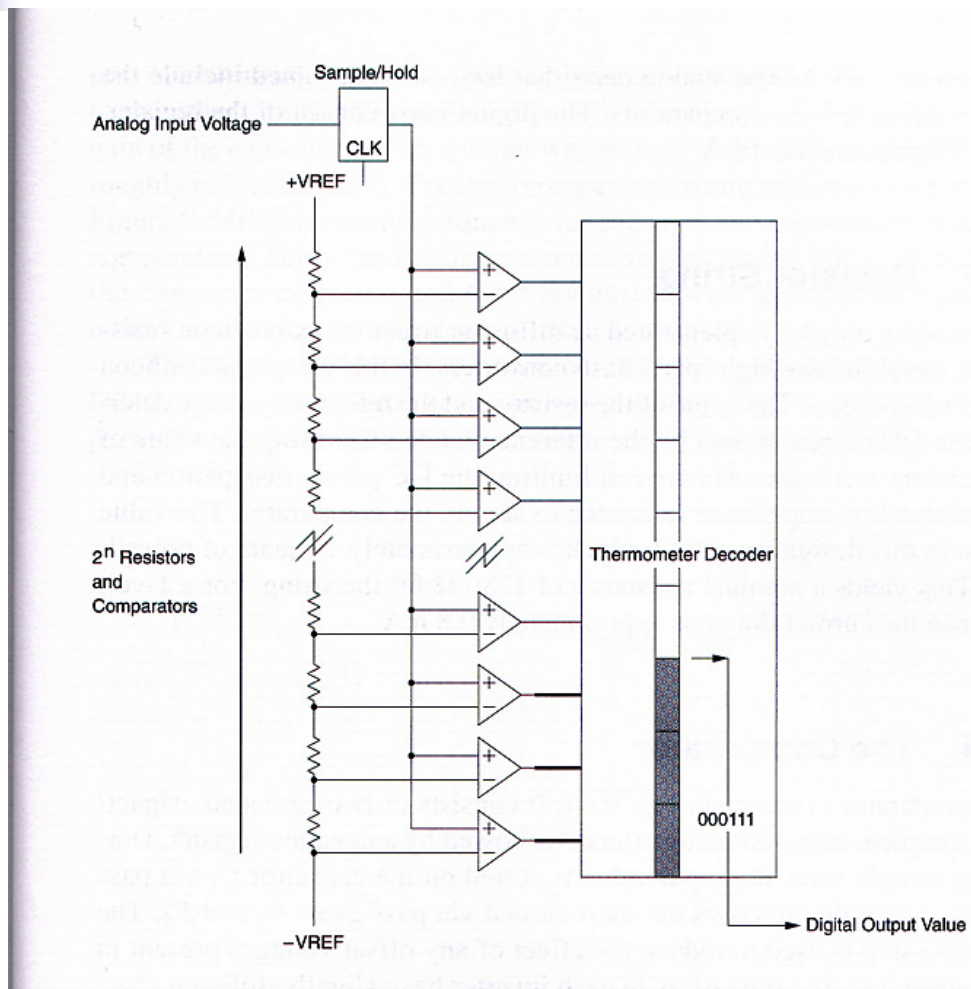
**FIGURE 9.46** Charge pump



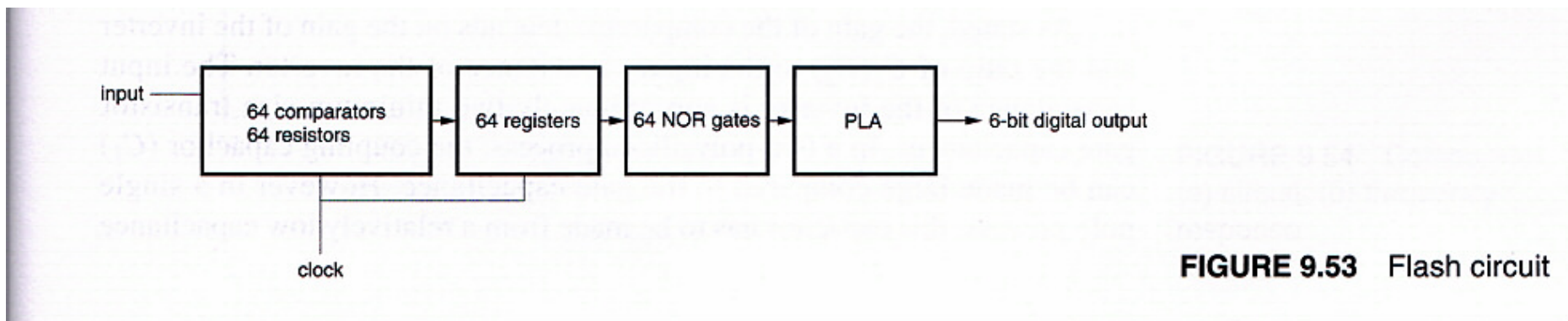
**Figure 9.47** Filter



**Figure 9.48** VCO



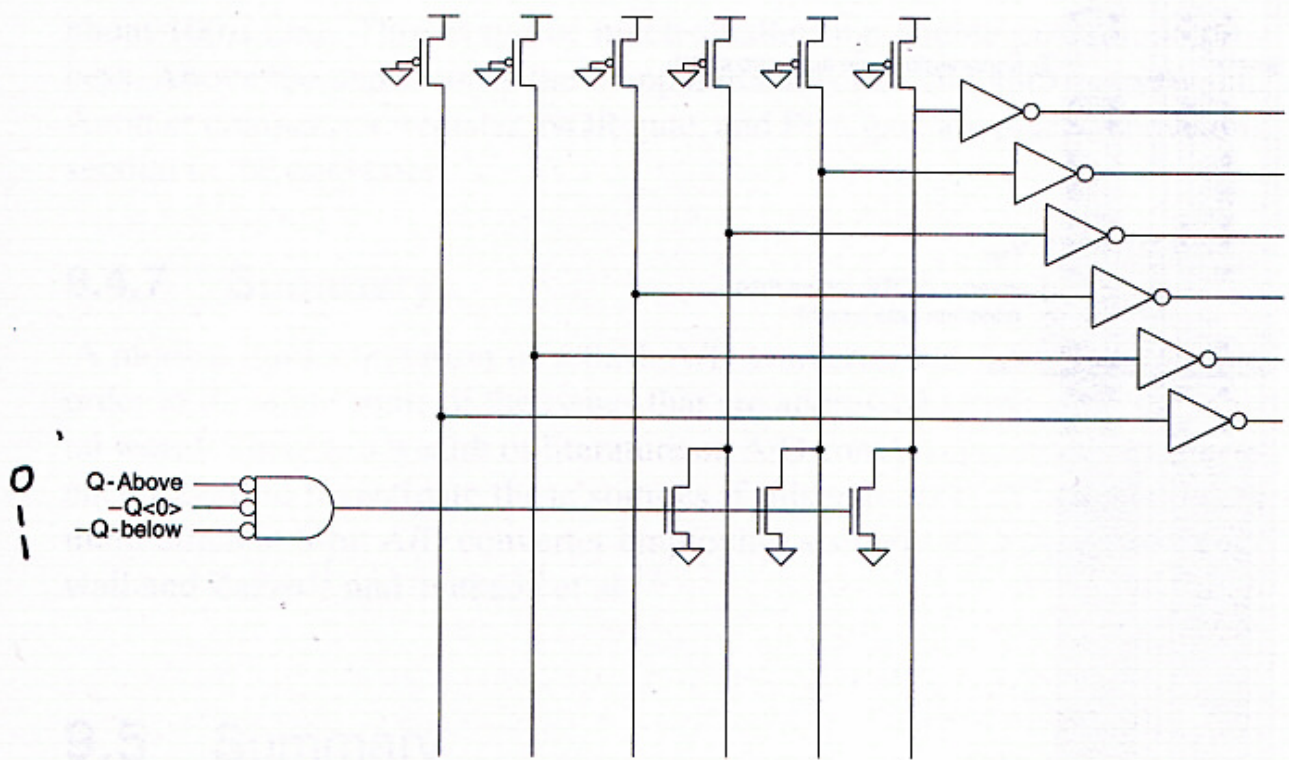
**FIGURE 9.52** Flash A/D architecture



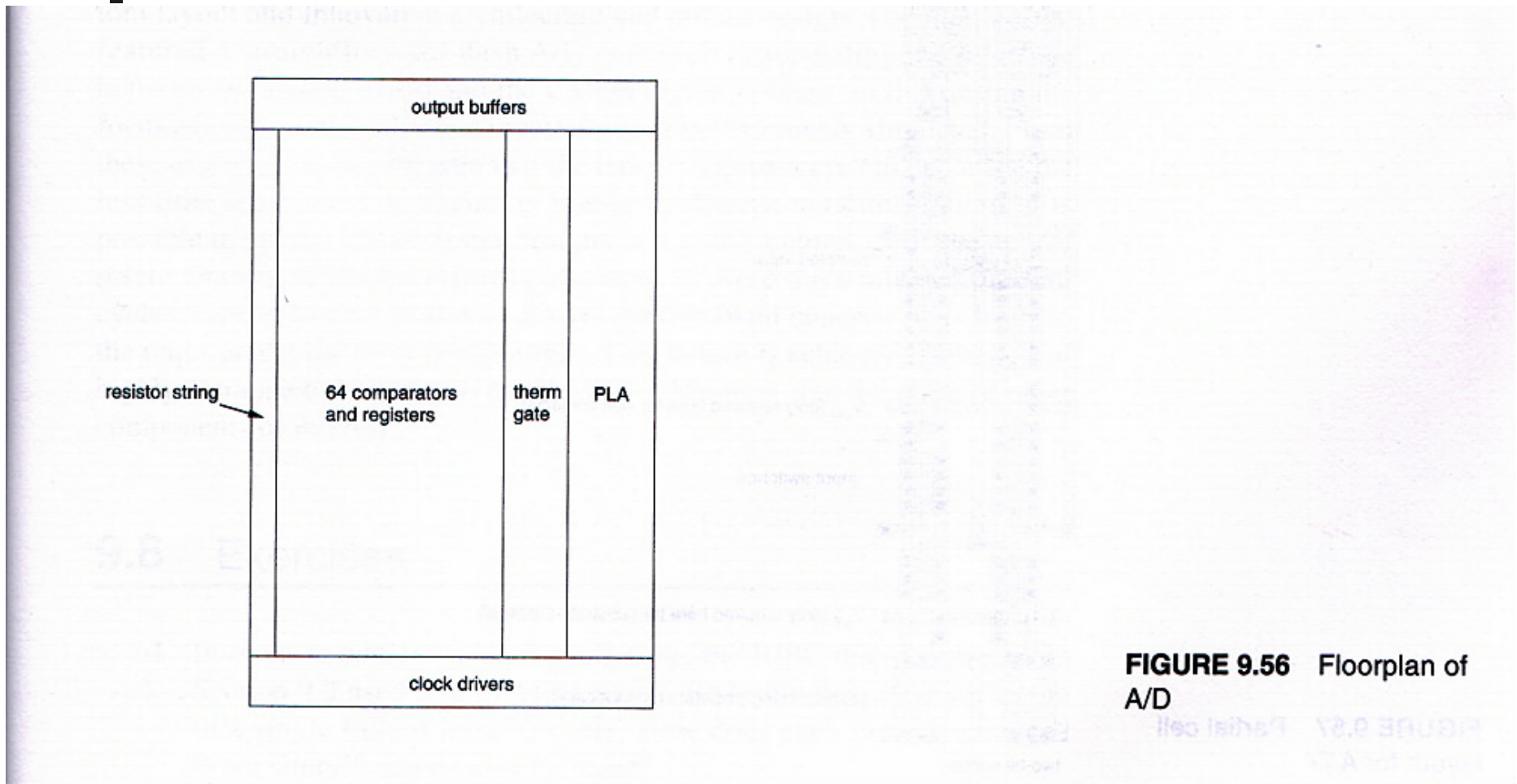
**FIGURE 9.53** Flash circuit



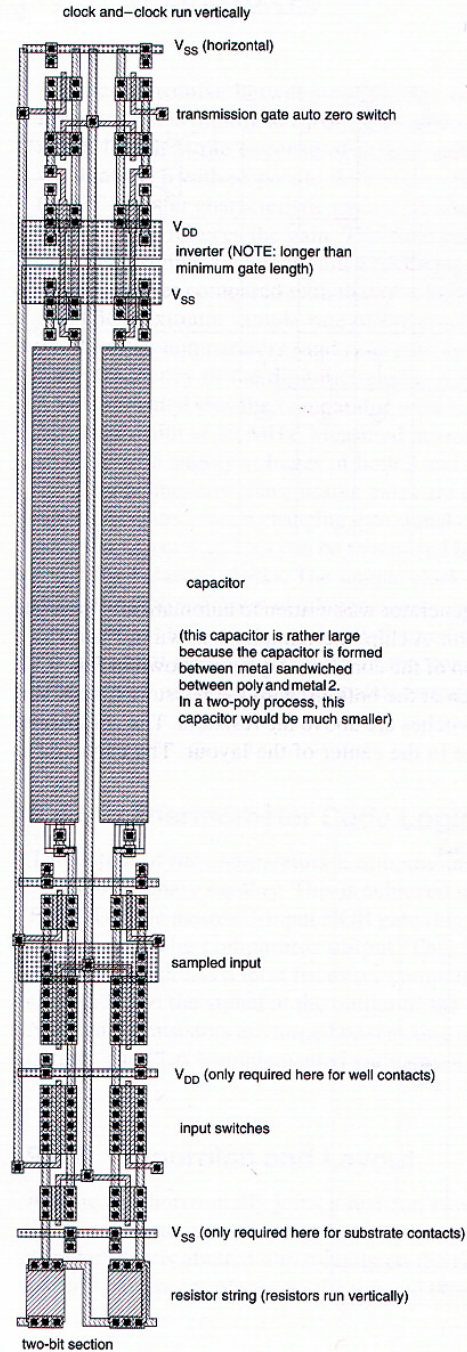




**FIGURE 9.55** Thermometer decode logic



**FIGURE 9.56** Floorplan of A/D



**FIGURE 9.57** Partial cell layout for A/D

