

FIGURE 2.2 Conduction characteristics for enhancement and depletion mode MOS transistors (assuming fixed V_{ds})

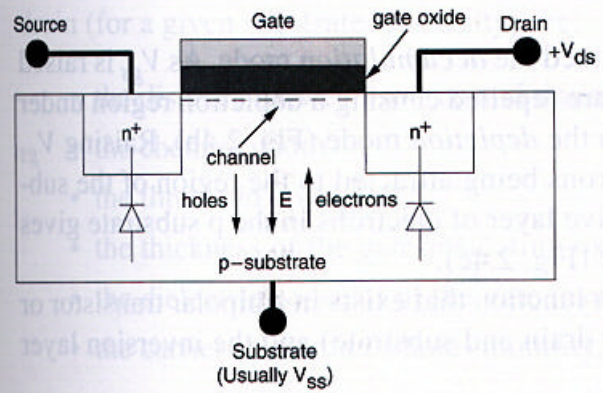


FIGURE 2.3 Physical structure of an nMOS transistor

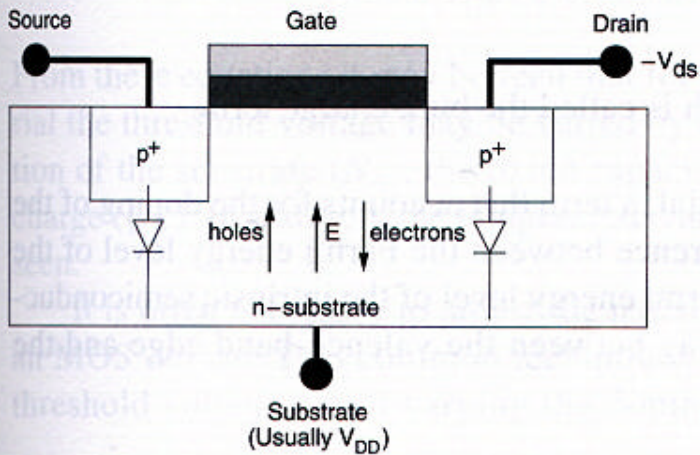


FIGURE 2.6 Physical structure of a pMOS transistor